

**Double Box with TwinCONTACT**  
Part no. 1650

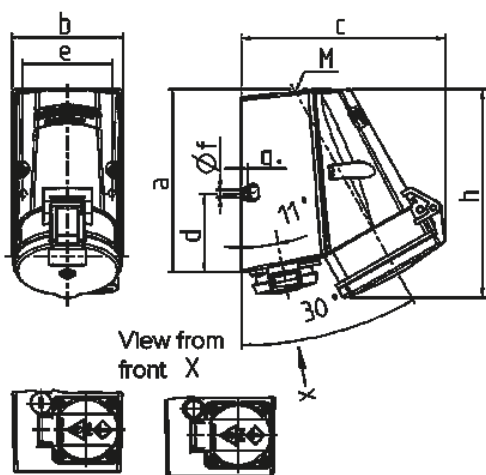


- screwless spring terminals
- CEE and socket SCHUKO® in one enclosure
- with fuse holder, max. 10 A

Technical specifications

|                           |                                 |
|---------------------------|---------------------------------|
| CEE 16 A, 5 p, 400 V      | 1                               |
| SCHUKO® 16 A, 230 V       | 1                               |
| Fusing                    | • with fuse holder, max. 10 A H |
| Protection type           | IP 44                           |
| Shutter                   | false                           |
| Enclosure material        | Plastic                         |
| Weight                    | 400 g                           |
| Declaration of Conformity | VDE, EAC                        |

Drawing



| Drawing  | Amp.     | 16    |     | 32  |
|--|----------|-------|-----|-----|
|  |          | Poles |     | 5   |
| <b>1 MB 354</b>  |          |       |     |     |
| <b>Dim. in mm</b>  | <b>a</b> | 141   | 141 | 141 |
|  | <b>b</b> | 84    | 84  | 85  |
|  | <b>c</b> | 136   | 140 | 158 |
|  | <b>d</b> | 61    | 61  | 61  |
|  | <b>e</b> | 68    | 68  | 68  |
|  | <b>f</b> | 5.5   | 5.5 | 5.5 |
|  | <b>g</b> | 5     | 5   | 5   |
|  | <b>h</b> | 142   | 145 | 161 |
|  | <b>M</b> | 25    | 25  | 25  |
| <b>Max. cable diam. (mm)</b>                                       |          | 18    | 18  | 18  |
| <b>Terminal for cond. cross section (mm<sup>2</sup>) min.-max.</b> |          | 1.5   | 1.5 | 2.5 |
|  |          | —4    | —4  | —10 |