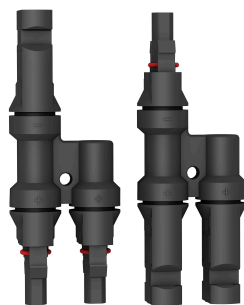


SY-BB21 Series



IEC 1500V
UL 1500V



UL: 6703
IEC: 62852



-40 °C ~ 85 °C



UL94-V0



IP 67



UV Resistance



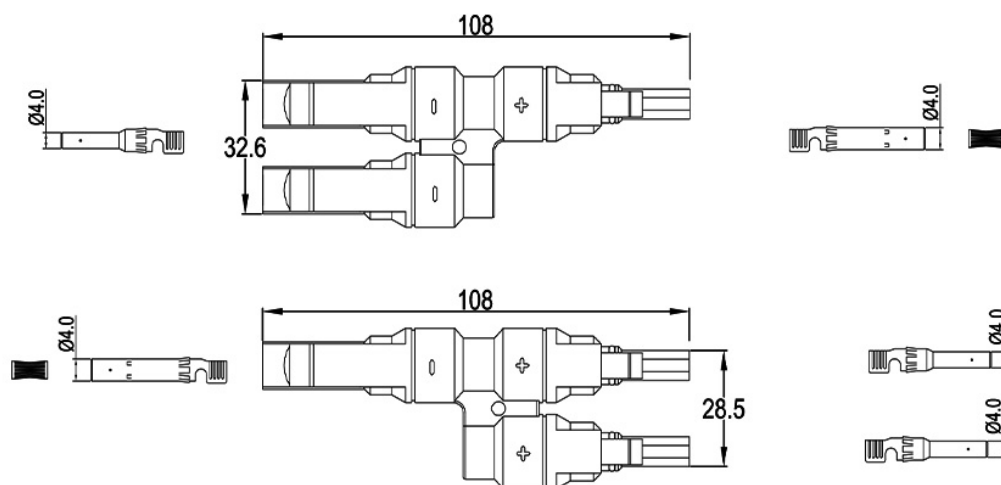
Product Overview

SY-BB21 Series Branch connectors use high quality weather resistance materials that guarantee long-term reliability. SY-BB21 could match SY-BB21 series branch connectors, it could be widely used in different applications. The lower contact resistance and higher current transfer capability ensure high product efficiency. SY-BB21 Series connectors have IP67 water-proof rating and can be used in a wide operating temperature range from -40 °C to 85 °C.

Technical Data:

Rated Voltage	IEC 1500V
Certification	IEC 62852
Rated Current	50A
Ambient	-40 °C up to +85 °C
Contact Resistance	≤0.25mΩ
Pollution Degree	Class II
Protection Degree	Class II
Fire Resistance	UL94-V0
Rated Impulse Voltage	16KV

SY-BB21



Remark:

- 1,SY-BB21 connectors use high quality materials. They have IP67 protection grade, using flame retardant, anti hydrolytic, UV resistant polymer insulation material, to ensure long-term safety in outdoor exposed environment.
- 2, Customized options available, for more information, please contact LEADER sales team: info@leadergroup-cn.com

