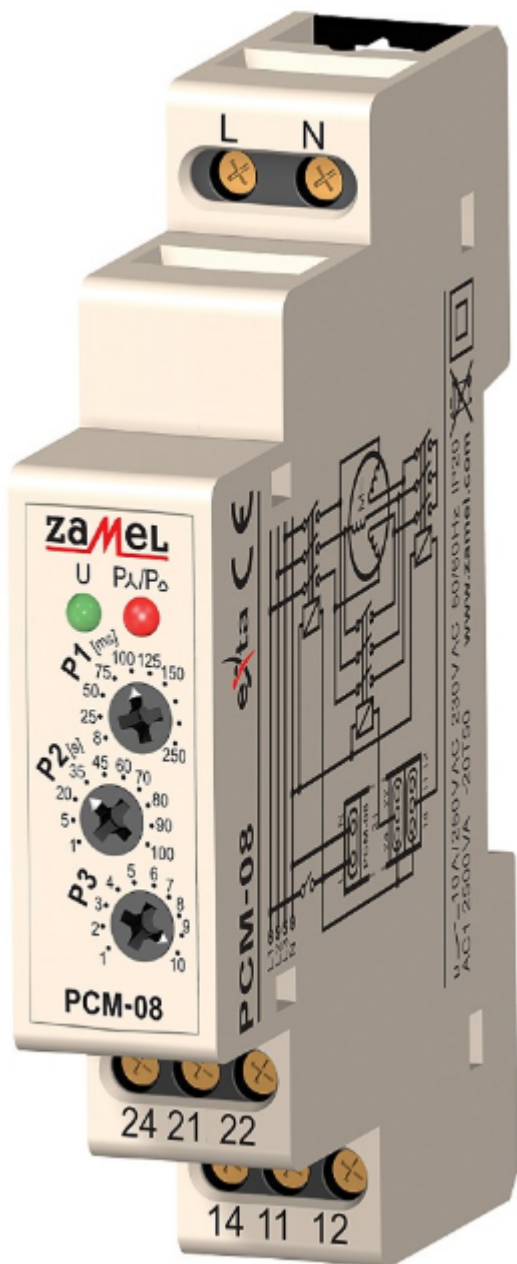
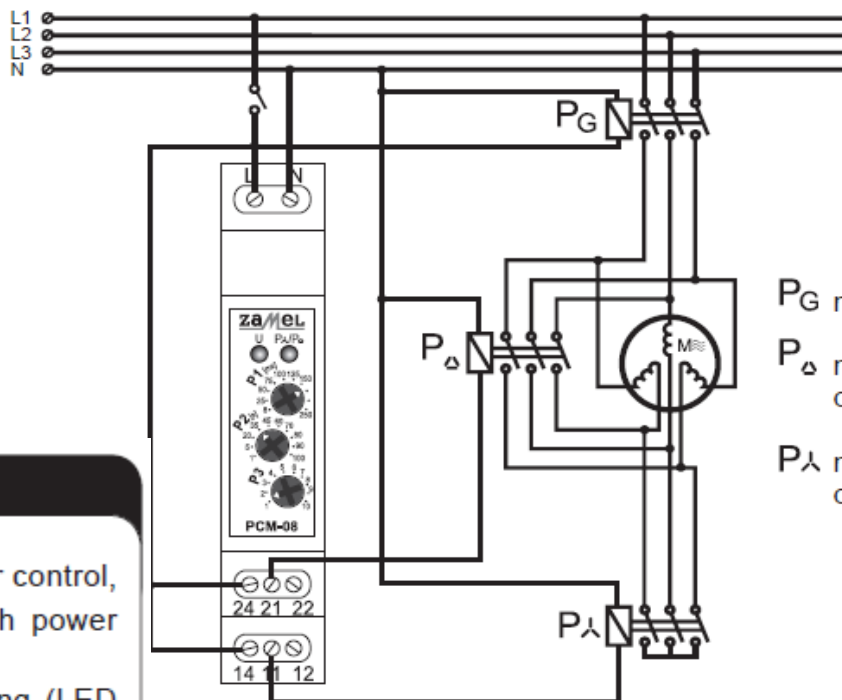
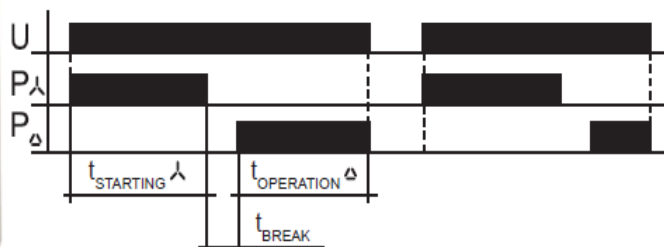


DELTA-STAR RELAY PCM-08



FEATURES

- Three-phase delta-star motor control,
- current decrease during high power motor start,
- device mode optical signalling (LED red),
- supply voltage optical signalling (LED green),
- trigger by applying supply voltage,
- starting time adjustment (STAR system),
- interval time adjustment of STAR to DELTA switching,
- two independent relay outputs, dry contact 2 x NO/NC of 10 A capacity,
- mounting in distribution boards (TH35 rail).



P_G main contactor

P_Δ motor (delta) switch on contactor

P_λ motor (star) switch on contactor

Power supply terminals

Power supply optical signalling

P1 potentiometer
Interval time adjustment
of STAR to DELTA switching
(strobe adjustment)

Device operating mode
optical signalling

P3 potentiometer
Starting time multiplier
in the star system 1-10
(strobe adjustment)

P2 potentiometer
starting time value adjustment
(STAR system),

Relay output terminals
PK2 (24, 21, 22)

Relay output terminals
PK1 (14, 11, 12)