

Ledinaire floodlight maxi

October 2017

Ledinaire Floodlight maxi

Main specifications

10000 lm



20000 lm



Purpose:

- Residential, general areas lighting
- Price fighter range against B brand, local suppliers and LEDvance
- (10 klm system) → halogen 1000W / HID 250W (HPI-TP)
- (20klm system) → halogen 1500W / HID 400W (HPI-TP)
- Stock and Flow only

Features:

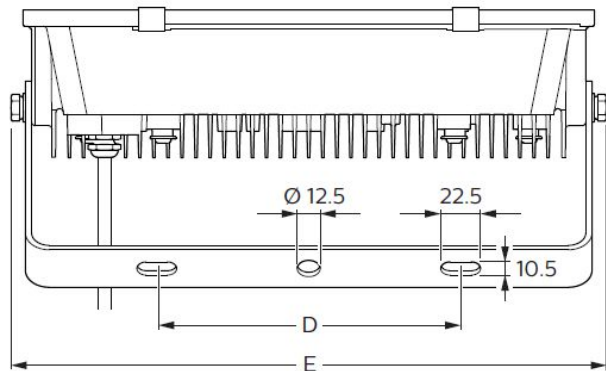
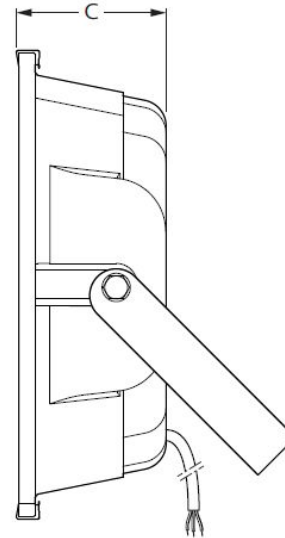
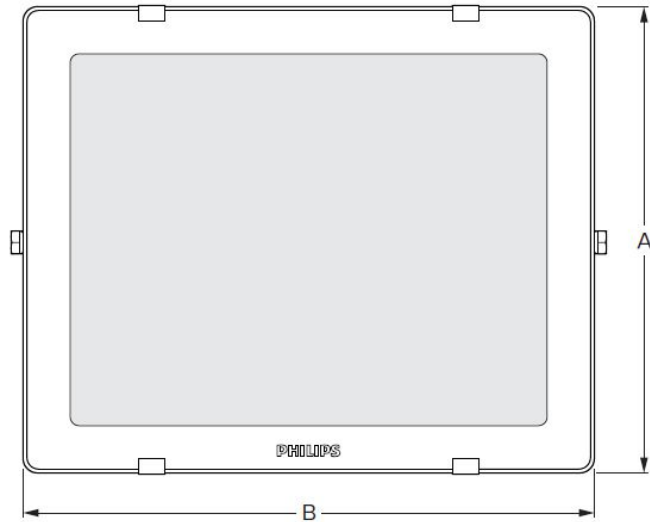
- 1:1 HID Robust LED floodlights range
- 100W & 200W versions
- IP65/IK08
- Symetrical beam
- 50 Khrs L70B50
- Prewired connection

Benefits:

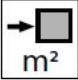

- Philips quality and reliability
- Energy saving
- Easy installation

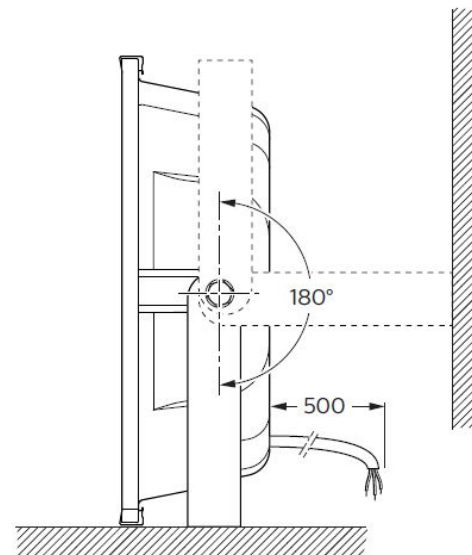
Ledinaire Floodlight maxi

Dimensions



Dimensions in mm

A	B	C	D	E	 m ²	 kg
265	323	85	172	342	0.085	3.55
330	422	108	174	445	0.139	6.35



Ledinaire Floodlight maxi

Ledinaire Marcom brochure

Ledinaire floodlight maxi

Energy efficient, professional floodlight for outdoor general areas.

Features:

- robust LED floodlights range, 1 to 1 replacement of HID
- 100W & 200W versions
- IP65/IK08
- symmetrical beam
- 50 Khrs L70B50 @ta 25°C
- prewired connection



Benefits:

- Philips quality and reliability
- energy saving
- easy installation

Family name	LMC	Product description	EOC
	lm	W	
Ledinaire floodlight maxi	912401483114	BVP106 LED100/740 PSU VWB100	871869938406799
Ledinaire floodlight maxi	912401483115	BVP106 LED200/740 PSU VWB100	871869938408100

Technical specifications

Mains voltage	220-240 V / 50-60 Hz
Lifetime	50,000 hrs L70B50
CRI	> 70
Connection	flying leads/wires
IP rating	IP65
IK rating	IK08
Power factor	0.95
Safety class	Class I
Housing material	Aluminium / Glass
Color	Dark Grey

